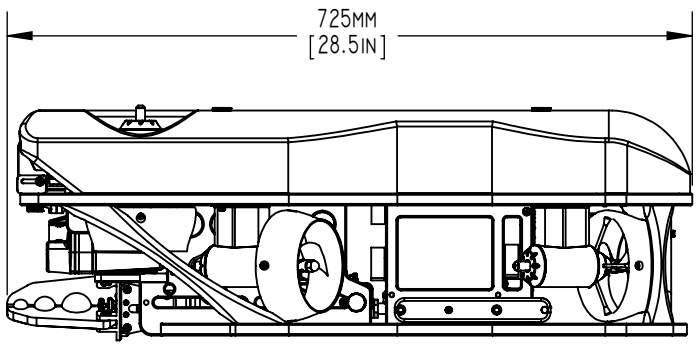
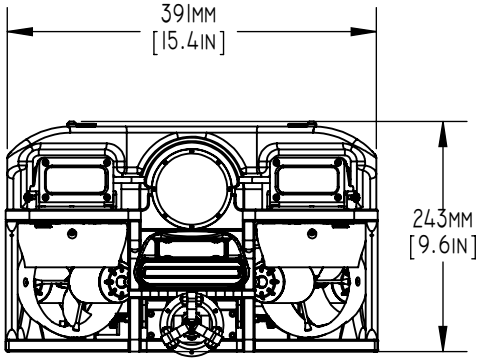
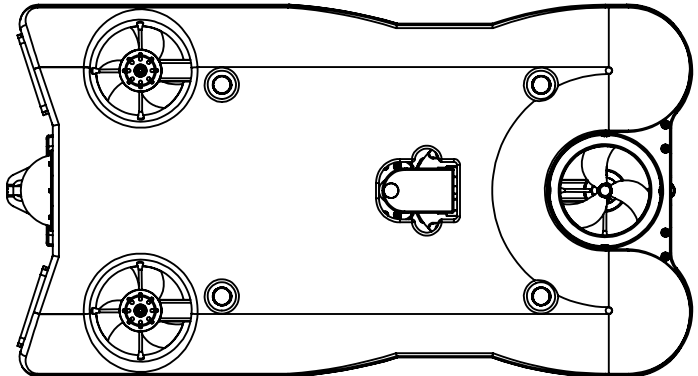
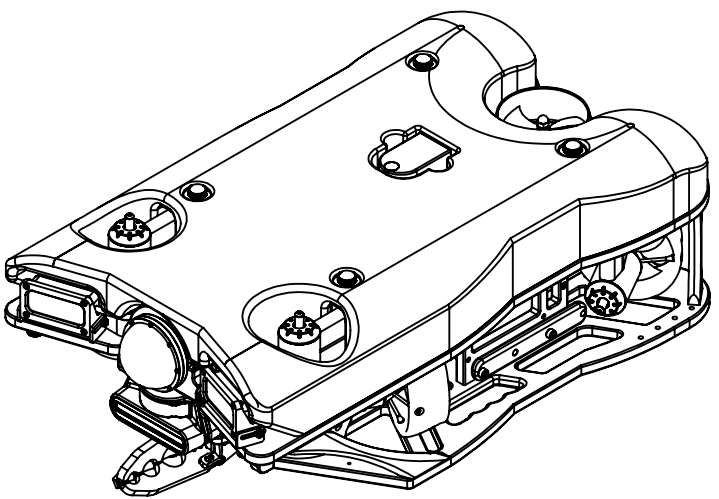


REVISIONS				
ZONE	REV.	DESCRIPTION	DATE	APPROVED
	X-04	UPDATED DRAWING, ADDED WEIGHT INFO	12/7/2017	



VEHICLE WEIGHT		
AIR	FRESH WATER	SALT WATER
21.7 KG (48 LBS)	BUOYANT	BUOYANT

BALLAST WEIGHTS			
250G BALLAST	FRONT	REAR PORT	REAR STBD
FULL PAYLOAD	0	1	2
NO PAYLOAD	6	2	3

VIDEORAY, LLC  
 212 EAST HIGH STREET, POTTSTOWN, PA 19464  
 USATEL: +1 610-458-3000 FAX: +1 610-458-3010  
 WWW.VIDEORAY.COM



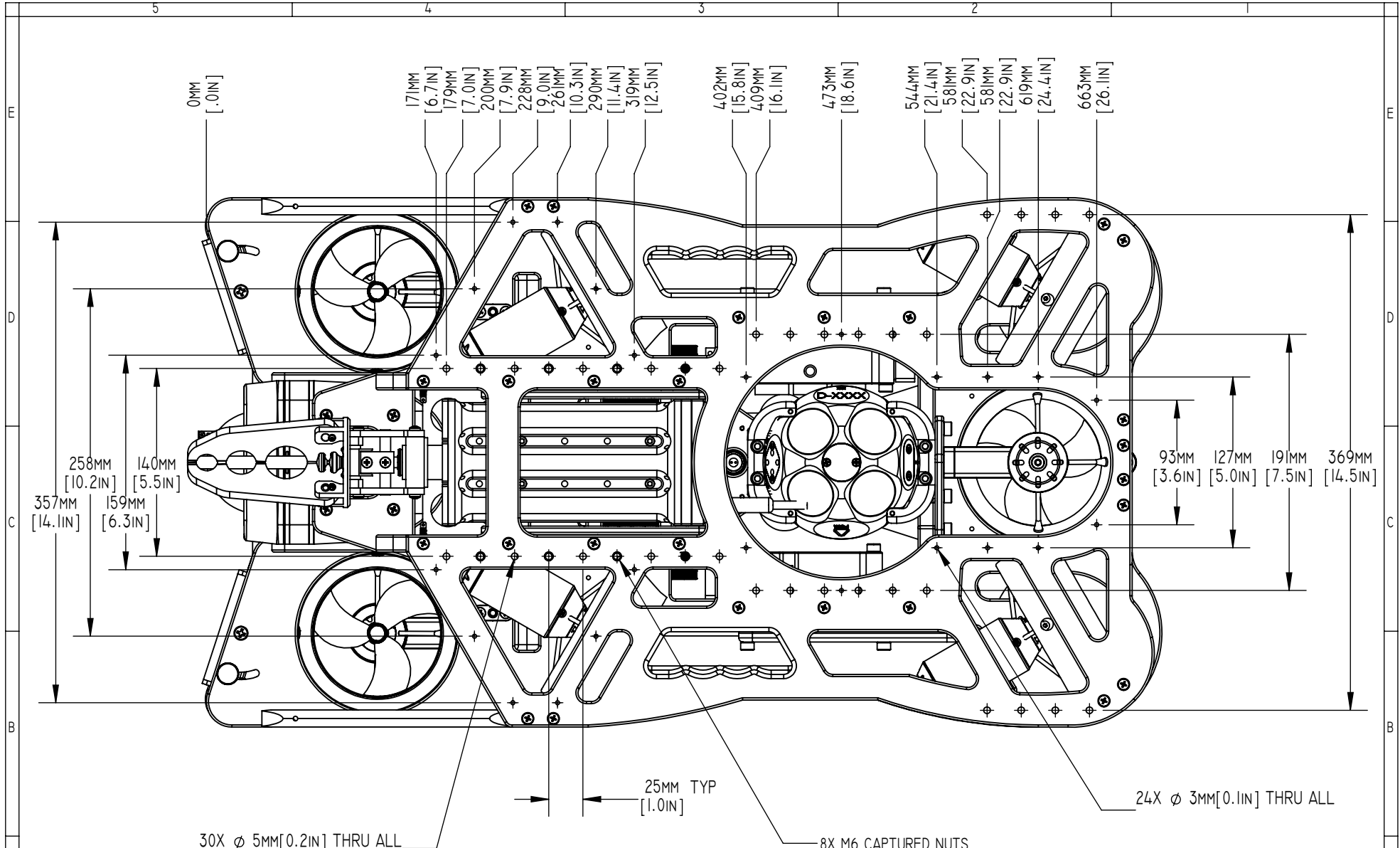
THE INFORMATION CONTAINED IN THIS DRAWING IS SUPPLIED BY VIDEORAY, LLC FOR REFERENCE PURPOSES ONLY. EVERY EFFORT HAS BEEN MADE TO ENSURE THE ACCURACY OF THE INFORMATION SUPPLIED HEREIN. VIDEORAY CAN NOT BE HELD RESPONSIBLE FOR YOUR USE OF THIS INFORMATION. INFORMATION CONTAINED IN THIS DRAWING IS SUBJECT TO CHANGE WITHOUT NOTICE. FOR UPDATED OR ADDITIONAL INFORMATION, PLEASE CONTACT VIDEORAY, LLC DIRECTLY. ANY REPRODUCTION OF THIS DRAWING IN PART OR AS A WHOLE WITHOUT THE WRITTEN PERMISSION OF VIDEORAY, LLC IS PROHIBITED.

PROPRIETARY AND BUSINESS CONFIDENTIAL, ALL RIGHTS RESERVED, COPYRIGHT 2001-2015, VIDEORAY, LLC

UNITS:	 THIRD ANGLE
MM (INCHES)	
DRN: DS	8/17/2017
CHK: -	
APP: -	

MSS DEFENDER VEHICLE			
DRAWING STATUS:		DEVELOPMENT	
70743			
APPROX. DRY WEIGHT:	-	SIZE:	A
APPROX. WET WEIGHT:	-	REV:	X-04
SCALE:	1:8	SHEET:	OF 5

PUBLISHED: 12/7/2017



PUBLISHED:12/17/2017

**VideoRay**



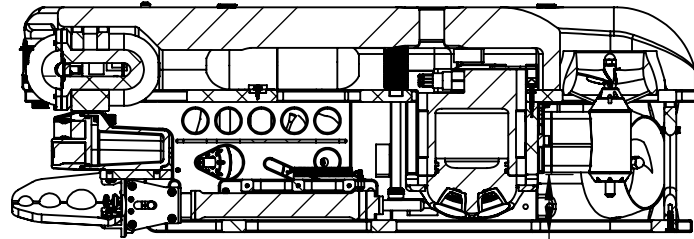
THE INFORMATION CONTAINED IN THIS DRAWING IS SUPPLIED BY VIDEORAY, LLC FOR REFERENCE PURPOSES ONLY. EVERY EFFORT HAS BEEN MADE TO ENSURE THE ACCURACY OF THE INFORMATION SUPPLIED HEREIN. VIDEORAY CAN NOT BE HELD RESPONSIBLE FOR YOUR USE OF THIS INFORMATION. INFORMATION CONTAINED IN THIS DRAWING IS SUBJECT TO CHANGE WITHOUT NOTICE. FOR UPDATED OR ADDITIONAL INFORMATION, PLEASE CONTACT VIDEORAY, LLC DIRECTLY. ANY REPRODUCTION OF THIS DRAWING IN PART OR AS A WHOLE WITHOUT THE WRITTEN PERMISSION OF VIDEORAY, LLC IS PROHIBITED.

PROPRIETARY AND BUSINESS CONFIDENTIAL, ALL RIGHTS RESERVED, COPYRIGHT 2001-2015, VIDEORAY, LLC

UNITS:	MM
(INCHES)	
	THIRD ANGLE
DRN:	DS
CHK:	-
APP:	-
	8/17/2017

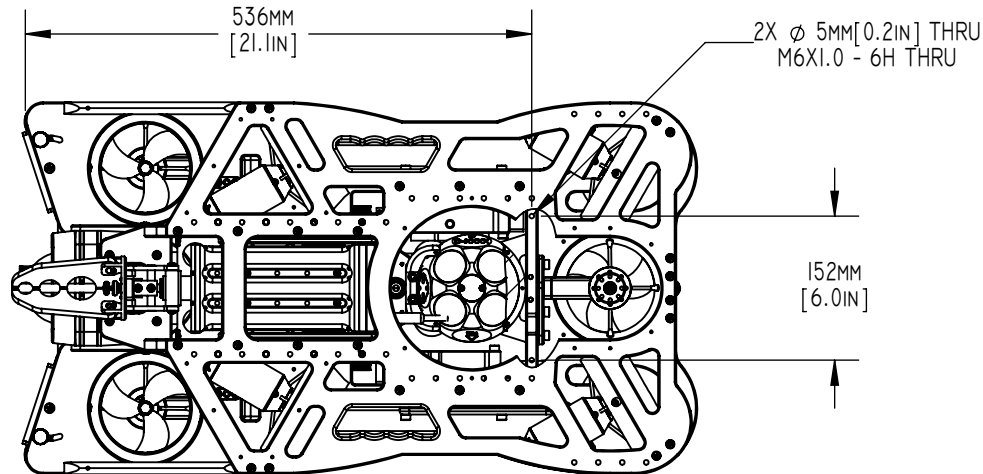
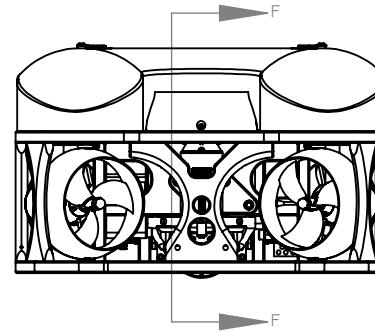
VIDEORAY, LLC  
212 EAST HIGH STREET, POTTSTOWN, PA 19464  
USATEL: +1 610-458-3000 FAX: +1 610-458-3010  
WWW.VIDEORAY.COM

MSS DEFENDER VEHICLE			
DRAWING STATUS:		DEVELOPMENT	
70743			
APPROX. DRY WEIGHT:	-	SIZE:	A
APPROX. WET WEIGHT:	-	REV:	X-04
SCALE:	1:4	SHEET:	2 OF 5



SECTION F-F

6MM  
[2.4IN]



536MM  
[21.1IN]

2X Ø 5MM [0.2IN] THRU  
M6X1.0 - 6H THRU

152MM  
[6.0IN]

VIDEORAY, LLC  
212 EAST HIGH STREET, POTTSTOWN, PA 19464  
USATEL: +1 610-458-3000 FAX: +1 610-458-3010  
WWW.VIDEORAY.COM



THE INFORMATION CONTAINED IN THIS DRAWING IS SUPPLIED BY VIDEORAY, LLC FOR REFERENCE PURPOSES ONLY. EVERY EFFORT HAS BEEN MADE TO ENSURE THE ACCURACY OF THE INFORMATION SUPPLIED HEREIN. VIDEORAY CAN NOT BE HELD RESPONSIBLE FOR YOUR USE OF THIS INFORMATION. INFORMATION CONTAINED IN THIS DRAWING IS SUBJECT TO CHANGE WITHOUT NOTICE. FOR UPDATED OR ADDITIONAL INFORMATION, PLEASE CONTACT VIDEORAY, LLC DIRECTLY. ANY REPRODUCTION OF THIS DRAWING IN PART OR AS A WHOLE WITHOUT THE WRITTEN PERMISSION OF VIDEORAY, LLC IS PROHIBITED.

PROPRIETARY AND BUSINESS CONFIDENTIAL, ALL RIGHTS RESERVED, COPYRIGHT 2001-2015, VIDEORAY, LLC

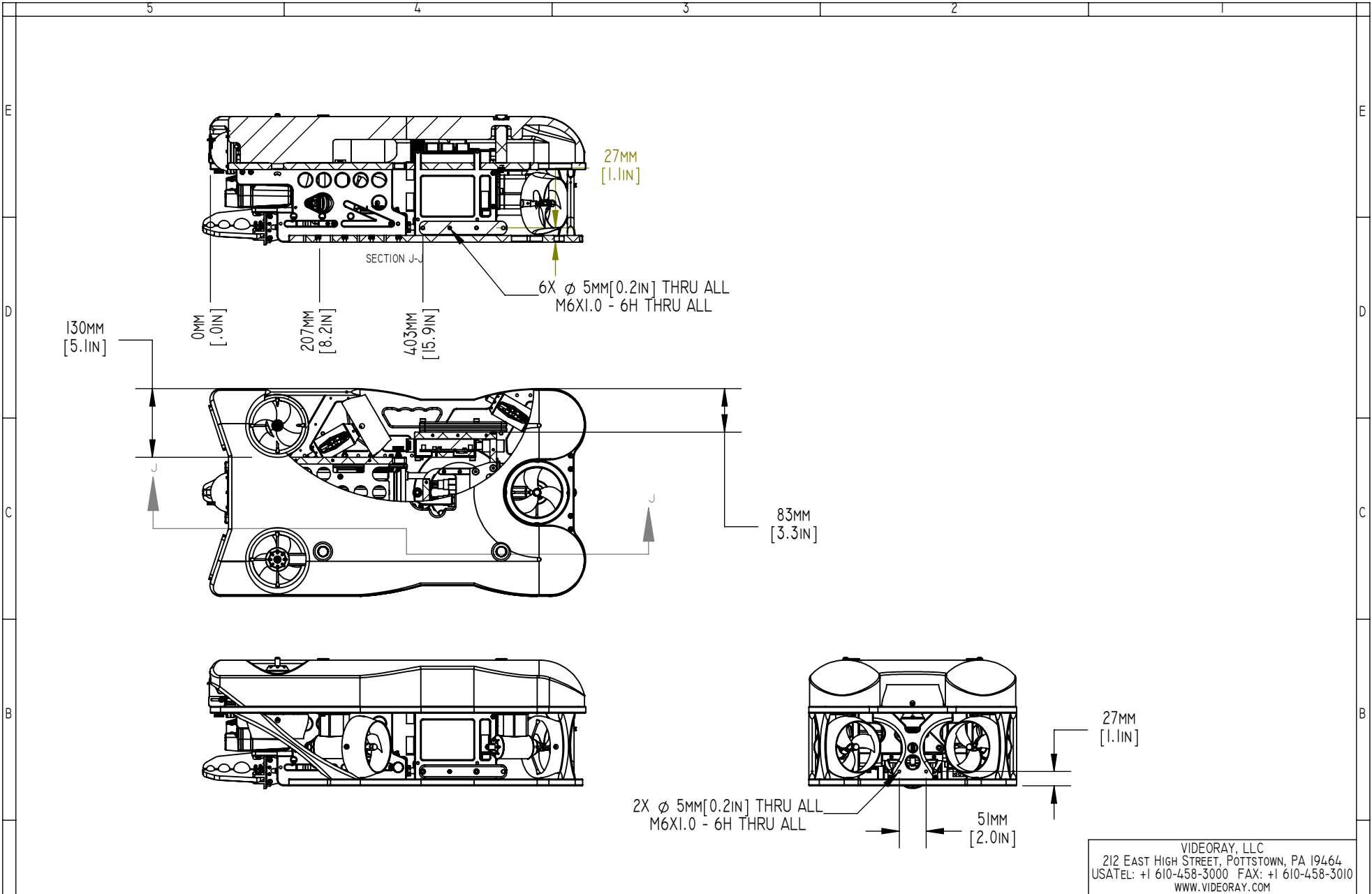
UNITS:  
MM  
(INCHES)



DRN: DS 8/17/2017  
CHK: -  
APP: -

MSS DEFENDER VEHICLE			
DRAWING STATUS:		DEVELOPMENT	
70743			
APPROX. DRY WEIGHT:	-	SIZE:	A
APPROX. WET WEIGHT:	-	REV:	X-04
SCALE:	1:8	SHEET:	3 OF 5

PUBLISHED: 12/17/2017



PUBLISHED:12/7/2017

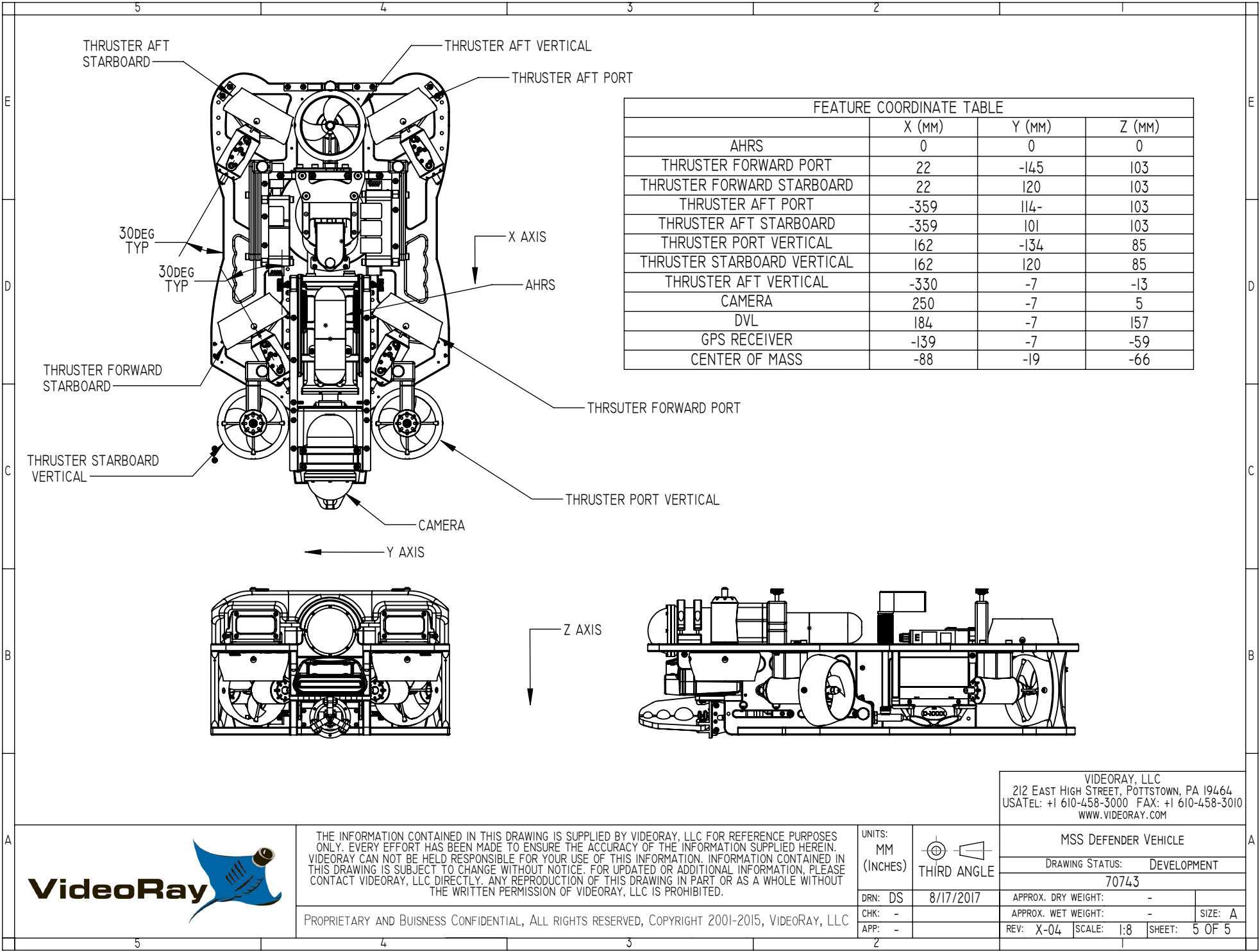


THE INFORMATION CONTAINED IN THIS DRAWING IS SUPPLIED BY VIDEORAY, LLC FOR REFERENCE PURPOSES ONLY. EVERY EFFORT HAS BEEN MADE TO ENSURE THE ACCURACY OF THE INFORMATION SUPPLIED HEREIN. VIDEORAY CAN NOT BE HELD RESPONSIBLE FOR YOUR USE OF THIS INFORMATION. INFORMATION CONTAINED IN THIS DRAWING IS SUBJECT TO CHANGE WITHOUT NOTICE. FOR UPDATED OR ADDITIONAL INFORMATION, PLEASE CONTACT VIDEORAY, LLC DIRECTLY. ANY REPRODUCTION OF THIS DRAWING IN PART OR AS A WHOLE WITHOUT THE WRITTEN PERMISSION OF VIDEORAY, LLC IS PROHIBITED.

PROPRIETARY AND BUSINESS CONFIDENTIAL, ALL RIGHTS RESERVED, COPYRIGHT 2001-2015, VIDEORAY, LLC

UNITS:	 THIRD ANGLE
MM (INCHES)	
DRN: DS	8/17/2017
CHK: -	
APP: -	

VIDEORAY, LLC 212 EAST HIGH STREET, POTTSTOWN, PA 19464 USATEL: +1 610-458-3000 FAX: +1 610-458-3010 WWW.VIDEORAY.COM			
MSS DEFENDER VEHICLE			
DRAWING STATUS:		DEVELOPMENT	
70743			
APPROX. DRY WEIGHT:	-	SIZE:	A
APPROX. WET WEIGHT:	-	REV:	X-04
SCALE:	1:10	SHEET:	4 OF 5



FEATURE COORDINATE TABLE			
	X (MM)	Y (MM)	Z (MM)
AHRS	0	0	0
THRUSTER FORWARD PORT	22	-145	103
THRUSTER FORWARD STARBOARD	22	120	103
THRUSTER AFT PORT	-359	114-	103
THRUSTER AFT STARBOARD	-359	101	103
THRUSTER PORT VERTICAL	162	-134	85
THRUSTER STARBOARD VERTICAL	162	120	85
THRUSTER AFT VERTICAL	-330	-7	-13
CAMERA	250	-7	5
DVL	184	-7	157
GPS RECEIVER	-139	-7	-59
CENTER OF MASS	-88	-19	-66

PUBLISHED:12/7/2017



THE INFORMATION CONTAINED IN THIS DRAWING IS SUPPLIED BY VIDEORAY, LLC FOR REFERENCE PURPOSES ONLY. EVERY EFFORT HAS BEEN MADE TO ENSURE THE ACCURACY OF THE INFORMATION SUPPLIED HEREIN. VIDEORAY CAN NOT BE HELD RESPONSIBLE FOR YOUR USE OF THIS INFORMATION. INFORMATION CONTAINED IN THIS DRAWING IS SUBJECT TO CHANGE WITHOUT NOTICE. FOR UPDATED OR ADDITIONAL INFORMATION, PLEASE CONTACT VIDEORAY, LLC DIRECTLY. ANY REPRODUCTION OF THIS DRAWING IN PART OR AS A WHOLE WITHOUT THE WRITTEN PERMISSION OF VIDEORAY, LLC IS PROHIBITED.

PROPRIETARY AND BUSINESS CONFIDENTIAL, ALL RIGHTS RESERVED, COPYRIGHT 2001-2015, VIDEORAY, LLC

UNITS: MM (INCHES)	
THIRD ANGLE	
DRN: DS	8/17/2017
CHK: -	
APP: -	

VIDEORAY, LLC  
 212 EAST HIGH STREET, POTTSTOWN, PA 19464  
 USATEL: +1 610-458-3000 FAX: +1 610-458-3010  
 WWW.VIDEORAY.COM

MSS DEFENDER VEHICLE			
DRAWING STATUS:		DEVELOPMENT	
70743			
APPROX. DRY WEIGHT:	-	SIZE:	A
APPROX. WET WEIGHT:	-	REV:	X-04
SCALE:	1:8	SHEET:	5 OF 5